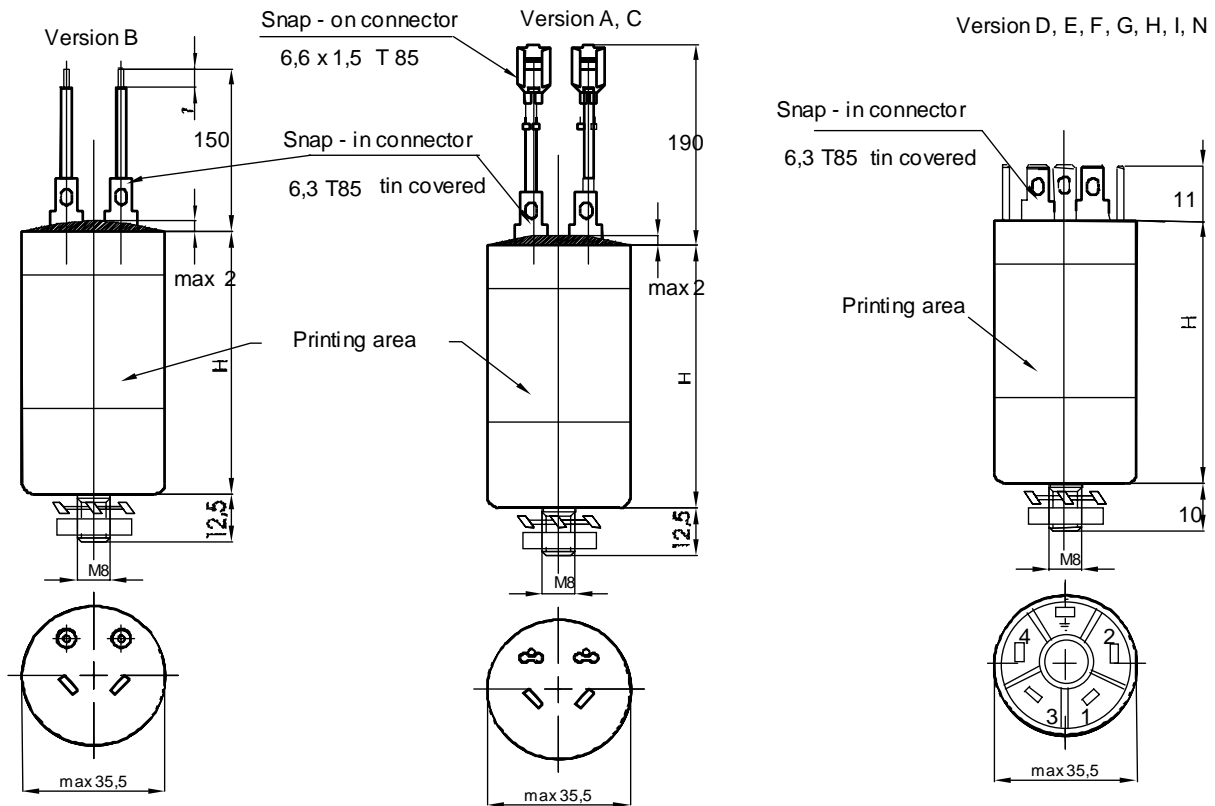


# FP-250/16

## RFI SUPPRESSION FILTERS



### APPLICATION

FP-250/16 filters are designed to suppress radio frequency interferences in equipment supplied with the a.c. voltage of 250V (50Hz) and with the current intensity not higher than 16A, particularly in household equipment, version A,B,C is made in aluminium cases and version D,E,F,G,H,I in plastic cases.

**These filters have domestic safety mark "B" , VDE 565 - 3**

### TECHNICAL DATA

- Climatic category
- Rated voltage
- Rated current
- Specifications
- 25/085/21
- 250 a.c.
- 16 A
- WT-81/1-FP-250/15 + App. 2.

 **MIFLEX S.A.**

**HADEX s.r.o.**

Kosmova 11, 702 00 Ostrava, Czech Republic  
tel.: +420 596 136 917, fax: +420 596 136 919  
mobil. tel.: +420 606 286 666  
e-mail: hadex@hadex.cz  
www.hadex.cz

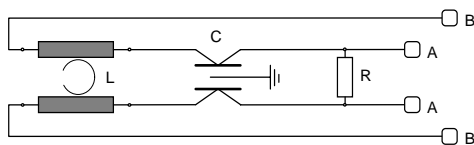
# FP-250/16

## RFI SUPPRESSION FILTERS

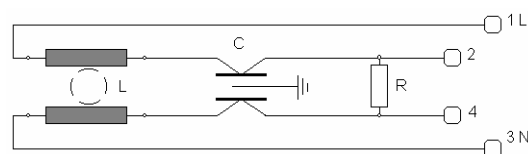
Version	Capacitance C		Inductance	Resistance	Height
	class X	class Y	L	R	H
	$\mu\text{F}$	nF	mH	k $\Omega$	mm
A	$0,5 \pm 20\%$	$2 \times 27 \pm 20\%$	$2 \times 0,3 \pm 30\%$	$680 \pm 20\%$	71
B	$0,5 \pm 20\%$	$2 \times 4,7 + 0 - 40\%$	$2 \times 0,3 \pm 30\%$	$680 \pm 20\%$	71
C	$0,5 \pm 20\%$	$2 \times 27 \pm 20\%$	$2 \times 1,0 \pm 30\%$	$680 \pm 20\%$	76
D	$0,5 \pm 20\%$	$2 \times 27 \pm 20\%$	$2 \times 1,0 \pm 30\%$	$680 \pm 20\%$	85
E	$0,5 \pm 20\%$	$2 \times 27 \pm 20\%$	$2 \times 0,3 \pm 30\%$	$680 \pm 20\%$	85
F	$0,5 \pm 20\%$	$2 \times 4,7 \pm 20\%$	$2 \times 0,3 \pm 30\%$	$680 \pm 20\%$	85
G	$0,5 \pm 20\%$	$2 \times 27 \pm 20\%$	$2 \times 1,0 \pm 30\%$	$680 \pm 20\%$	67
H	$0,5 \pm 20\%$	$2 \times 27 \pm 20\%$	$2 \times 0,3 \pm 30\%$	$680 \pm 20\%$	67
I	$0,5 \pm 20\%$	$2 \times 4,7 \pm 20\%$	$2 \times 0,3 \pm 30\%$	$680 \pm 20\%$	67
N	$0,5 \pm 20\%$	$2 \times 4,7 \pm 20\%$	$2 \times 1,0 \pm 30\%$	$680 \pm 20\%$	67

### CIRCUIT DIAGRAM

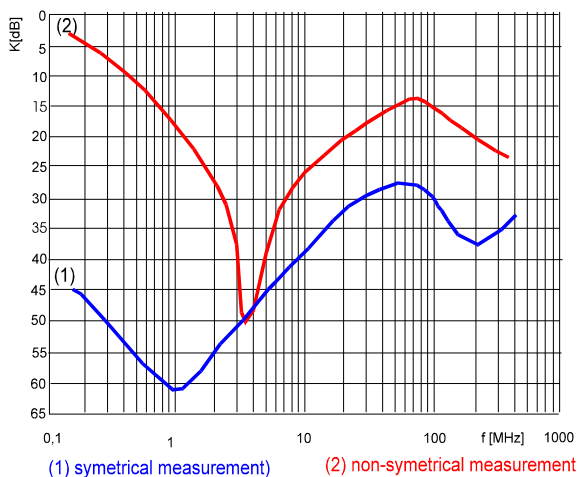
Version A,B,C.



Version D,E,F,G,H,I,N.



### FILTER ATTENUATION



Capacitance:

- class X 1 - between terminals 2 and 4
- class Y 2 - between terminals 2 and  $\frac{1}{2}$  as well as 4 and  $\frac{1}{2}$
- Inductance - between terminals 1 and 2 as well as 3 and 4

 **MIFLEX S.A.**

**HADEX, s.r.o.**

Kosmova 11, 702 00 Ostrava, Czech Republic  
 tel.: +420 596 136 917, fax: +420 596 136 919  
 mobil. tel.: +420 603 286 666  
 e-mail: hadex@hadex.cz  
 www.hadex.cz